



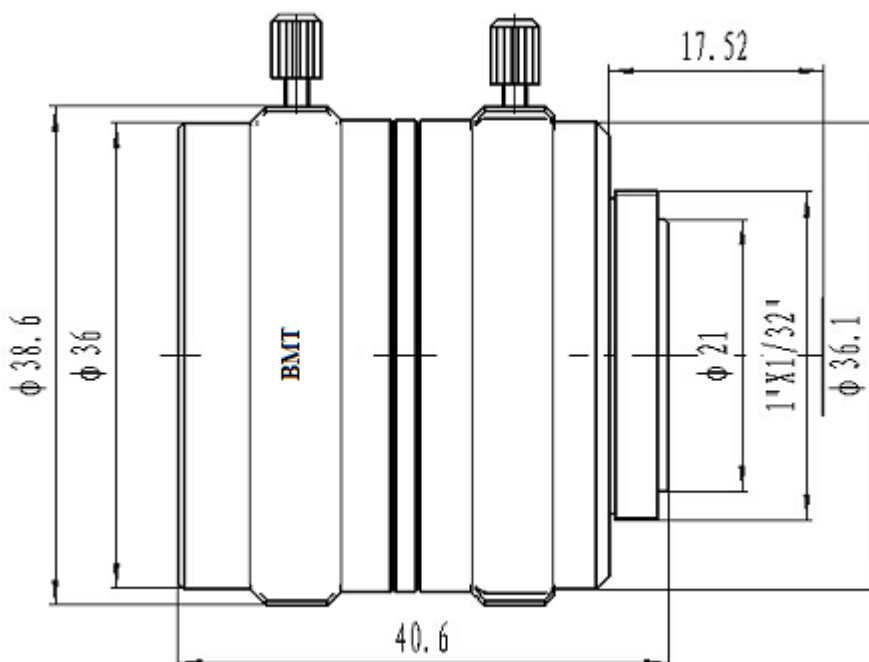
## 2/3" Mega Pixel Camera Lens BMT-18085MP



Release Version: V1.0-JULY-2017

### Key Highlights

- 2/3" imager format High performance mega-pixel C-Mount camera lens
- Very Low distortion
- Highly compact
- Iris & Focus locking screws
- 12 Month warranty
- Made of Metal



“BMT” is trademark of “BalaJi MicroTechnologies Pvt. Ltd.”

<b>Model No</b>	<b>BMT-18085MP</b>	
<b>Resolution</b>	<b>5 MP</b>	
<b>Focal Length</b>	<b>8 MM</b>	
<b>Iris Range</b>	<b>F# 1/1.8</b>	
<b>Lens Mount</b>	<b>C-Mount</b>	
<b>Imager Format</b>	<b>2/3"</b>	
<b>Angle of View</b>	<b>D (68.6°) x H (54.9°) x V (41.1°)</b>	
<b>Control</b>	<b>Focus</b>	<b>Manual</b>
	<b>Iris</b>	<b>Manual</b>
<b>Back Focal Length</b>	<b>12.03 MM</b>	
<b>Working Temperature (degree celcius)</b>	<b>-10~+50</b>	
<b>Weight</b>	<b>98 gm</b>	

### Europe Business

**BlueVision Technologies Europe GmbH (BVT)**  
(A Unit of B.B. Group of Companies)

**Office:** Einsteinstraße 28 | 85521 Ottobrunn |  
**Germany**

**Email:** sales.germany@bluevision-technologies.com

**Website:** <http://www.bluevision-technologies.com/>

### India Business

**BalaJi MicroTechnologies Pvt. Ltd (BMT)**  
(A Unit of B.B. Group of Companies)

**Corporate Headquarter**—New Delhi, India

**Sales Office:** D-2/20, Sector 10 | DLF Faridabad-121006  
| Haryana, **INDIA**

**Tel #** +91-129-6561300 , +91-129-4006203

**India:** sales.india@balaji-microtechnologies.com

**overseas:** sales.overseas@balaji-microtechnologies.com

**Website:** <http://www.balaji-microtechnologies.com/>